

Electronic indicator **LIM N1500G**

**Technical description**

**Characteristic**

- LED display 4½ digits
- large digits: 56 mm
- transmitter power supply
- 2 alarm outputs
- 5 types of alarms
- RS485 interface
- adjustable indication offset
- detection of sensor failure

**Output**

- TC: J, K, T, E, B, R, S, N
- RTD: Pt100
- current: (4 ÷ 20) mA
- voltage: (0 ÷ 5) V, (0 ÷ 10) V, (0 ÷ 50) mV

**Accuracy**

- ±0,25% of range ±1 °C: for J, K, T, E, N
- ±0,25% of range ±3 °C: for S, R, B
- ±0,2% of range for Pt100
- ±0,15% of range for: current and voltage outputs

**Output I, II**

- relay: NO 1,5 A/250 V

**Output V**

- (0 ÷ 20) mA, (4 ÷ 20) mA (550 Ω max.)

**Power source**

- (100 ÷ 240) V AC/DC
- 10 VA

**Operating conditions**

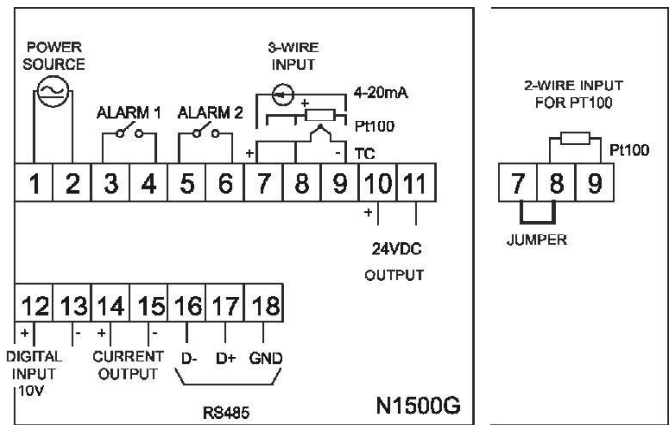
- temperature: (5 ÷ 50) °C
- humidity for:  $T \geq 30 \text{ °C } RH_{max} = 80\%$   
 $T < 30 \text{ °C } RH_{max} = [80 - (30 - T) * 3]\%$

**Dimensions [mm]**

310x110x37



Wiring diagram



INDICATORS

H

**Ordering example**

Electric indicator LIM N1500G