

## Controller LIM N1040

### Technical description

#### Characteristic

- PID control; ON/OFF
- double LED display 4-digits
- autotuning
- adjustable offset for the sensor
- programmable input
- 3 programmable control/alarm outputs
- ramping, 6 alarm functions
- sensor damage detection
- simple configuration menu
- front panel protection: IP65
- USB interface for configuration
- detachable terminal block

#### Input

- J: (-110 ÷ 950) °C
- K: (-150 ÷ 1370) °C
- T: (-160 ÷ 400) °C
- Pt100: (-200 ÷ 850) °C

#### Accuracy

- ±0,25% ± 1 °C: for J, K, T
- ±0,2% of range: for Pt100

#### Output I

- SSR: 5 V DC/25 mA max.

#### Output II, III

- relay: NO 1,5 A/240 V AC

#### Output IV

- relay: SPDT 3 A/240 V AC

#### Power source

- (100 ÷ 240) V AC/DC (±10%)
- (12 ÷ 24) V DC
- 6 VA

#### Operating conditions

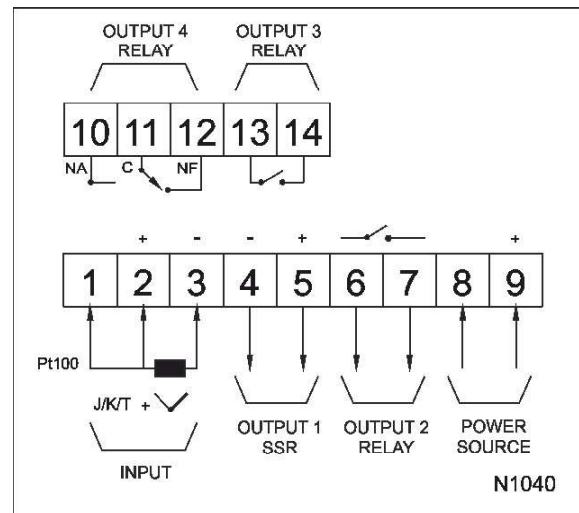
- temperature: (0 ÷ 50) °C
- humidity: (0 ÷ 85) % RH without condensation

#### Dimension [mm]

48x48x80; hole: 45,5x45,5



Wiring diagram



### Ordering code

Controller	LIM N1040 - ... - ...
Power:	
(100 ÷ 240) V AC/DC	4
(12 ÷ 24) V AC/DC	5
Output:	
1 relay (wy. 2) + SSR	1
2 relay (wy. 2, 3) + SSR	2
3 relay (wy. 2, 3, 4) + SSR	3

### Ordering example

Controller LIM N1040-4-1