

Controller LIM N1040T

Technical description

Characteristic

- PID control; ON/OFF
- double LED display 4-digits
- autotuning
- adjustable offset for the sensor
- programmable input
- 3 programmable control/alarm outputs
- 2 counting timers (T1 i T2), controlling outputs
- Adjustable break timing between 00:00 and 99:59 (hh:mm or mm:ss)
- Timer enabling through digital input, Set Point, keypad or by enabling the temperature control
- timer output can be switched when the time finishes
- up/down counting
- ramping, 6 alarm functions
- sensor damage detection
- 4 level access lock
- simple configuration menu
- front panel protection: IP65
- USB interface for configuration
- detachable terminal block

Input

- J: (-110 ÷ 950) °C
- K: (-150 ÷ 1370) °C
- T: (-160 ÷ 400) °C
- Pt100: (-200 ÷ 850) °C

Accuracy

- ±0,25% ± 1 °C: for J, K, T
- ±0,2% of range: for Pt100

Output I

- SSR: 5 V DC/25 mA max.

Output II, III

- relay: NO 1,5 A/240 V AC

Output IV

- relay: SPDT 3 A/240 V AC

Power source

- (100 ÷ 240) V AC/DC (±10%)
- (12 ÷ 24) V DC
- 6 VA

Operating conditions

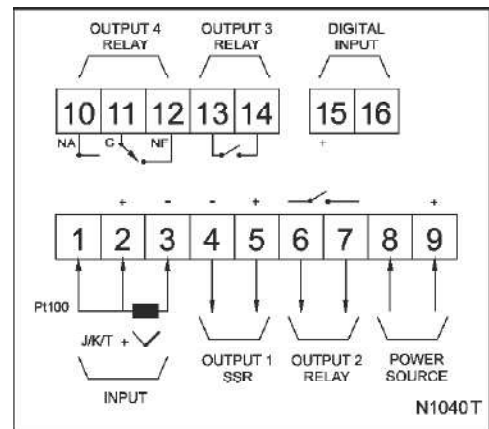
- temperature: (0 ÷ 50) °C
- humidity: (0 ÷ 85) % RH without condensation

Dimension [mm]

48x48x80; hole: 45,5x45,5



Wiring diagram



Ordering example

Controller LIM N1040T (standard power source (100 ÷ 240) V)
 Controller LIM N1040T-24 V (optional power source (12 ÷ 24) V)