

Controller **SR93, SR94**

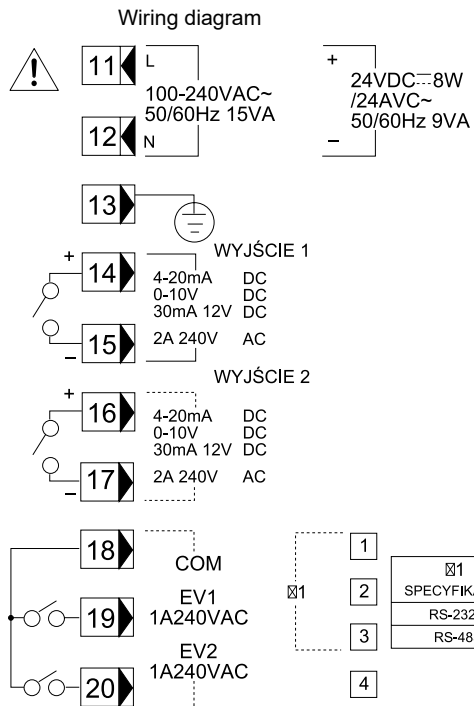
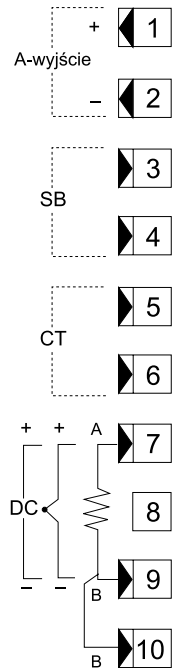
Technical description

Characteristic
– two independent control outputs (heating and cooling)
– extended functions
– RS232 or RS485 interface
– IP66 front panel
Input
– multi-input: Pt, TC, mV, voltage [V], current [mA]
Output
– control output (acc. to ordering code)
– alarm output (acc. to ordering code)
Power source
(100 ÷ 240) V AC
24 V AC/DC
Dimension [mm]
SR93: 96x96x111; hole: 92x92
SR94: 96x48x111; hole: 92x45
Additional functions
– RS485 interface

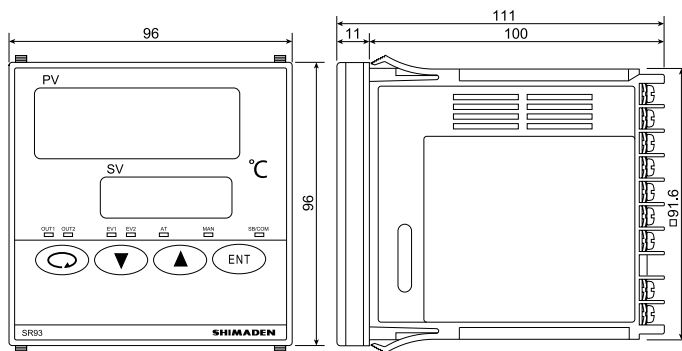


TEMPERATURE CONTROLLERS

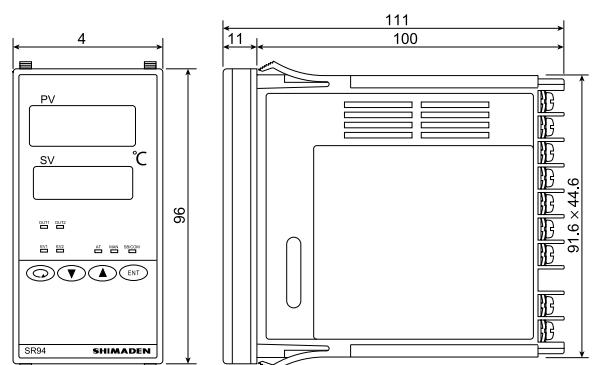
I



SR93



SR94



Ordering code

Controller		...	-	...	-	...	-	...	-	...	-	...	-	...
Model:														
SR93	SR93													
SR94	SR94													
Input:														
TC: (B, R, S, K, E, J, T, N, PL, II, Wre5-26 {U, L (DIN 43710)}) RTD: Pt100 / JPt100														
voltage: (-10 ÷ 10); (0 ÷ 10); (0 ÷ 20); (0 ÷ 50); (10 ÷ 50); (0 ÷ 100) mV														
current: (0 ÷ 20); (4 ÷ 20) mA														
voltage: (-1 ÷ 1); (0 ÷ 1); (0 ÷ 2); (0 ÷ 5); (1 ÷ 5); (0 ÷ 10) V														
Output 1:														
relay: 240 V AC / 2 A / resistive load														
analog current: (4 ÷ 20) mA														
SSR voltage: 12 V ±1,5 V														
analog voltage: (0 ÷ 10) V														
Output 2:														
none														
relay: 240 V AC / 2 A / resistive load														
analog current: (4 ÷ 20) mA														
SSR voltage: 12 V ±1,5 V														
analog voltage: (0 ÷ 10) V														
Power source:														
(100 ÷ 240) V AC ±10 %, 50/60 Hz														
24 V AC/DC ±10 %, 50/60 Hz														
Alarm output:														
noen														
relay output (2a): AL1, AL2: 240V AC/1A														
AL1 alarm output + burnout alarm														
AL1 alarm output + burnout alarm														
Analog output:														
none														
analog voltage: (0 ÷ 10) mV														
analog current: (4 ÷ 20) mA														
analog voltage: (0 ÷ 10) V														
Work point shift or interface:														
none														
RS485 interface														
RS232 interface														
1-point (-1999 ÷ 5000)														
Analog output + SV:														
voltage: (0 ÷ 10) mV														
current: (4 ÷ 20) mA														
voltage: (0 ÷ 10) V														

TEMPERATURE CONTROLLERS

Ordering example

Controller SR93-8-Y-Y-0-0-0-08-68