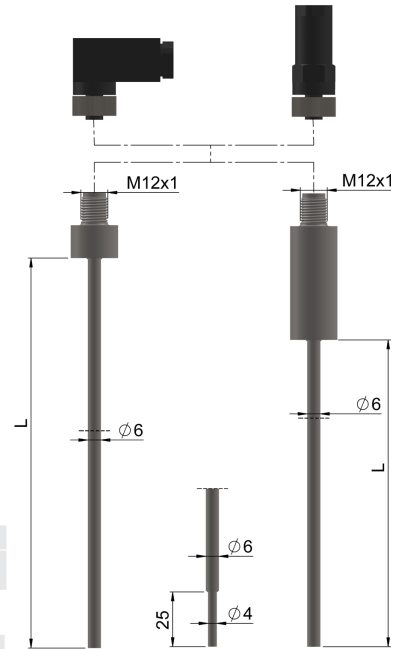


Temperature sensors of machinery and device parts TOPI-M12, TONI-M12

Technical description

Measuring range / sensing element		
(-200 ÷ 250) °C	Pt100	class B
(-50 ÷ 250) °C	Ni100	
Sheath		
– material: steel 1.4541		
– length L [mm]: 50÷1000		
– straight sheath: ø6 mm (standard)		
Output connector type		
– screw plug M12-4 pin (IP67)		
– connector operating temperature (-25 ÷ 85) °C		
Options		
– Pt500, Pt1000, Ni1000		
– double measuring circuit, 2-wire connection connection		
– sheath constricted ø6/ø4 mm		
– other sheath diameters acc. to requirements		
– Pt100: class A (-30 ÷ 250) °C, class AA (0 ÷ 150) °C		
Additional accessories		
– temperature transmitter (4 ÷ 20) mA, RT-02 - configurable (only single sensor)		
– screw socket, straight or angled with a gland PG7 (cable diameter: 4+6 mm), PG9 (cable diameter: 6+8 mm), cable section up to 0,5 mm ²		
– mounting brackets: UG-1, UG-3, UG-8, UZK-1 – p. 215+216		
– protection tubes and thermowells: OG, OS-4 – p. 203+204		



Response time T05/T09

Sensor type	ø9	ø11
Pt	≤33/≤95	≤40/≤120

Resistors tolerance acc. to PN-EN 60751

Class	Wire wound resistor	
	Range [°C]	Tolerance [°C]
AA	(-50÷250)	±(0,1+0,0017· t)
A	(-100÷450)	±(0,15+0,002· t)
B	(-196÷600)	±(0,3+0,005· t)

Ordering code

Temperature sensor	...	T	...	I-M12	
Single		no sign																			
Single with transmitter		AP																			
Double		2																			
Resistor Pt			OP																		
Resistor Ni			ON																		
Sheath length L [mm]																					100*
Tip diameter [mm]																					6, 4
Resistor type																					Pt100*
Accuracy class																					A, B*
Measuring circuit																					2, 3, 4
Socket: straight																					R
Socket: angular																					K
Gland																					PG7 PG9
Type of transmitter																					RT-02*
Setting of transmitter temperature																					(0 ÷ 100) °C*

* or others acc. to requirements

Ordering example

TOPI-M12-200-4-Pt100-A-3-RPG7 sensor with Pt100, Class A, 3-wire connection, sheath length L=200 mm, tip diameter ø4 mm with additional straight socket for cable with insulation diameter 4+6 mm